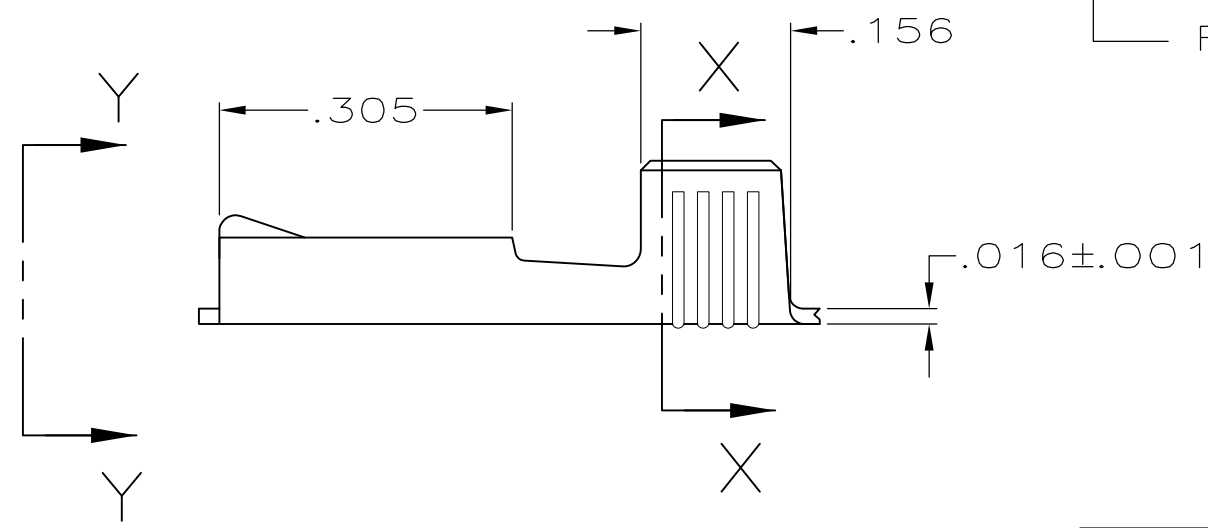
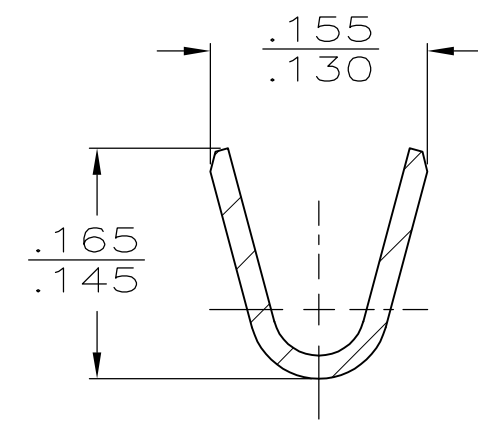
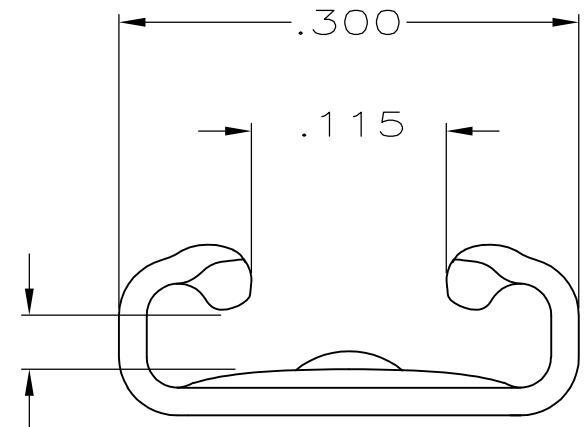
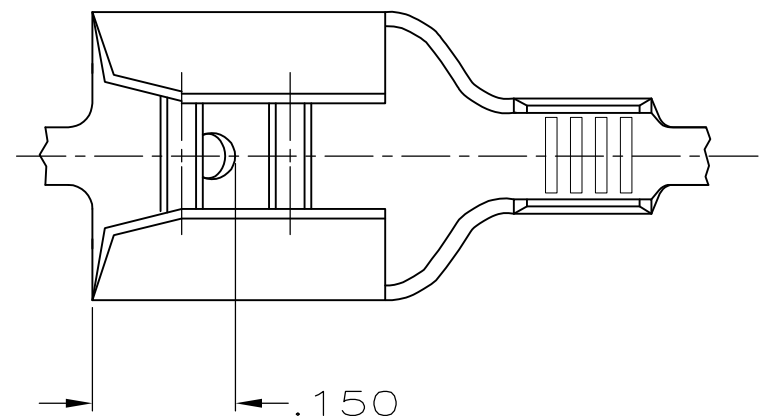


THIS DRAWING IS UNPUBLISHED. RELEASED FOR PUBLICATION
 © COPYRIGHT - By - ALL RIGHTS RESERVED.

LOC	DIST	REVISIONS					
AF	50	P	LTR	DESCRIPTION	DATE	DWN	APVD
			F	REVISED PER ECR-12-013445	18OCT12	KH	PD

1 CONTINUOUS STRIP ON REELS



FITS .250 SERIES FASTON TAB
 VIEW Y-Y
 SCALE 8:1

SECTION X-X
 SCALE 8:1

TIN	18-14	.032	42845-2
-			42845-1
FINISH	WIRE SIZE	MATING TAB THK ±.001	PART NO

THIS DRAWING IS A CONTROLLED DOCUMENT.		DWN	JR RUTH	5/9/90	TE Connectivity RECEPTACLE, FASTON, .250 SERIES				
DIMENSIONS: INCHES		CHK	MS FEHER	5/9/90					
		APVD	C MEYERS	5/9/90					
TOLERANCES UNLESS OTHERWISE SPECIFIED:		PRODUCT SPEC		NAME					
0 PLC ± - 1 PLC ± - 2 PLC ± - 3 PLC ± .015 4 PLC ± - ANGLES ± -		APPLICATION SPEC		SIZE	CAGE CODE	DRAWING NO	RESTRICTED TO		
MATERIAL	BRASS	FINISH	SEE TABLE	WEIGHT	-	A300779	C-42845	-	
CUSTOMER DRAWING				SCALE	5:1	SHEET	1 OF 1	REV	F